
gen_avr8 Documentation

Release https://github.com/vroncevic/gen_avr8/releases

Vladimir Roncevic <elektron.ronca@gmail.com>

Apr 27, 2022

Contents

1	gen_avr8	3
1.1	gen_avr8 package	3
1.1.1	Subpackages	3
1.1.1.1	gen_avr8.pro package	3
1.1.2	Module contents	12
2	Installation	13
3	Usage	15
4	Dependencies	17
5	Supported mcus	19
6	Generation flow of project setup	21
7	Tool structure	23
8	Copyright and licence	25
9	Indices and tables	27
	Python Module Index	29
	Index	31

gen_avr8 is toolset for generation of AVR8 project skeleton for development embedded applications.

Developed in [python](#) code.

The README is used to introduce the tool modules and provide instructions on how to install the tool modules, any machine dependencies it may have and any other information that should be provided before the modules are installed.

1.1 gen_avr8 package

1.1.1 Subpackages

1.1.1.1 gen_avr8.pro package

Submodules

gen_avr8.pro.mcu_selector module

Module mcu_selector.py

Copyright Copyright (C) 2018 Vladimir Roncevic <elektron.ronca@gmail.com> gen_avr8 is free software: you can redistribute it and/or modify it under the terms of the GNU General Public License as published by the Free Software Foundation, either version 3 of the License, or (at your option) any later version. gen_avr8 is distributed in the hope that it will be useful, but WITHOUT ANY WARRANTY; without even the implied warranty of MERCHANTABILITY or FITNESS FOR A PARTICULAR PURPOSE. See the GNU General Public License for more details. You should have received a copy of the GNU General Public License along with this program. If not, see <<http://www.gnu.org/licenses/>>.

Info Defined class MCUSelector with attribute(s) and method(s). Selecting MCU target for generating process of project structure.

class gen_avr8.pro.mcu_selector.MCUSelector (*verbose=False*)
Bases: ats_utilities.config_io.base_check.FileChecking

Defined class MCUSelector with attribute(s) and method(s). Selecting MCU target for generating process of project structure. It defines:

attributes

GEN_VERBOSE - console text indicator for process-phase.

MCU_LIST - configuration file with MCU list.

__mcu_list - MCU list.

methods

__init__ - initial constructor.

get_mcu_list - getter for MCU list object.

choose_mcu - select MCU target.

__str__ - dunder method for MCUSelector.

```
GEN_VERBOSE = 'GEN_AVR8::PRO::MCU_SELECTOR'
```

```
MCU_LIST = '/../conf/mcu.yaml'
```

```
VERBOSE = 'ATS_UTILITIES'
```

```
choose_mcu(verbose=False)
```

Select MCU target.

Parameters `verbose` (<bool>) – enable/disable verbose option.

Returns MCU name | None.

Return type <str> | <NoneType>

Exceptions None

```
get_mcu_list()
```

Getter for MCU list object.

Returns MCU list | None.

Return type <list> | <NoneType>

Exceptions None

gen_avr8.pro.module_type module

Module module_type.py

Copyright Copyright (C) 2018 Vladimir Roncevic <elektron.ronca@gmail.com> gen_avr8 is free software: you can redistribute it and/or modify it under the terms of the GNU General Public License as published by the Free Software Foundation, either version 3 of the License, or (at your option) any later version. gen_avr8 is distributed in the hope that it will be useful, but WITHOUT ANY WARRANTY; without even the implied warranty of MERCHANTABILITY or FITNESS FOR A PARTICULAR PURPOSE. See the GNU General Public License for more details. You should have received a copy of the GNU General Public License along with this program. If not, see <<http://www.gnu.org/licenses/>>.

Info Defined class ModuleType with attribute(s) and method(s). Check module type (it can be source module | build module).

```
class gen_avr8.pro.module_type.ModuleType
```

Bases: object

Defined class ModuleType with attribute(s) and method(s). Check module type (it can be source module | build module). It defines:

attributes

GEN_VERBOSE - console text indicator for process-phase.

SOURCE - list of expected source extensions.

BUILD - list of expected build extensions/files.

methods

`pre_process_module` - process module name.
`is_source_module` - check is source module.
`is_build_module` - check is build module.
`__str__` - dunder method for `ModuleType`.

```
BUILD = ['.mk', 'Makefile']
```

```
GEN_VERBOSE = 'GEN_AVR8::PRO::MODULE_TYPE'
```

```
SOURCE = ['.c', '.h']
```

```
classmethod is_build_module (module)
```

Check is build module.

Parameters `module` (<str>) – module name.

Returns boolean status, True | False.

Return type <bool>

Exceptions None

```
classmethod is_source_module (module)
```

Check is source module.

Parameters `module` (<str>) – module name.

Returns boolean status, True | False.

Return type <bool>

Exceptions None

```
classmethod pre_process_module (pro_type, pro_name, module, verbose=False)
```

Process module name.

Parameters

- **pro_type** (<str>) – project type.
- **pro_name** (<str>) – project name.
- **module** (<str>) – module name.
- **verbose** (<bool>) – enable/disable verbose option.

Returns processed module name.

Return type <str>

Exceptions None

gen_avr8.pro.osc_selector module

Module osc_selector.py

Copyright Copyright (C) 2018 Vladimir Roncevic <elektron.ronca@gmail.com> gen_avr8 is free software: you can redistribute it and/or modify it under the terms of the GNU General Public License as published by the Free Software Foundation, either version 3 of the License, or (at your option) any later version. gen_avr8 is distributed in the hope that it will be useful, but WITHOUT ANY WARRANTY; without even the implied warranty of MERCHANTABILITY or FITNESS FOR A PARTICULAR PURPOSE. See the GNU General Public License for more details. You should have received a copy of the GNU General Public License along with this program. If not, see <<http://www.gnu.org/licenses/>>.

Info Defined class OSCSelector with attribute(s) and method(s). Selecting FOSC for generating process of project structure.

```
class gen_avr8.pro.osc_selector.OSCSelector (verbose=False)  
    Bases: ats_utilities.config_io.base_check.FileChecking
```

Defined class OSCSelector with attribute(s) and method(s). Selecting FOSC for generating process of project structure. It defines:

attributes

GEN_VERBOSE - console text indicator for process-phase.
FOSC_LIST - configuration file with FOSC list.
__fosc_list - FOSC list.

methods

__init__ - initial constructor.
get_fosc_list - getter for FOSC list object.
choose_osc - select FOSC for target.
__str__ - dunder method for OSCSelector.

```
FOSC_LIST = '/../conf/fosc.yaml'
```

```
GEN_VERBOSE = 'GEN_AVR8::PRO::OSC_SELECTOR'
```

```
VERBOSE = 'ATS_UTILITIES'
```

```
choose_osc (verbose=False)
```

Select FOSC for target.

Parameters *verbose* (<bool>) – enable/disable verbose option.

Returns FOSC | None.

Return type <str> | <NoneType>

Exceptions None

```
get_fosc_list ()
```

Getter for FOSC list object.

Returns FOSC configuration | None.

Return type <list> | <NoneType>

Exceptions None

gen_avr8.pro.read_template module

Module read_template.py

Copyright Copyright (C) 2018 Vladimir Roncevic <elektron.ronca@gmail.com> gen_avr8 is free software: you can redistribute it and/or modify it under the terms of the GNU General Public License as published by the Free Software Foundation, either version 3 of the License, or (at your option) any later version. gen_avr8 is distributed in the hope that it will be useful, but WITHOUT ANY WARRANTY; without even the implied warranty of MERCHANTABILITY or FITNESS FOR A PARTICULAR PURPOSE. See the GNU General Public License for more details. You should have received a copy of the GNU General Public License along with this program. If not, see <<http://www.gnu.org/licenses/>>.

Info Defined class ReadTemplate with attribute(s) and method(s). Created API for read a template file and return a content.

```
class gen_avr8.pro.read_template.ReadTemplate (verbose=False)  
    Bases: ats_utilities.config_io.base_check.FileChecking
```

Defined class ReadTemplate with attribute(s) and method(s). Created API for read a template file and return a content. It defines:

attributes

GEN_VERBOSE - console text indicator for process-phase.
FORMAT - file format for template.

methods

__init__ - initial constructor.
read - read template file.
__str__ - dunder method for ReadTemplate.

```
FORMAT = 'template'
```

```
GEN_VERBOSE = 'GEN_AVR8::PRO::READ_TEMPLATE'
```

```
VERBOSE = 'ATS_UTILITIES'
```

```
read (template_file, verbose=False)  
    Read template file.
```

Parameters

- **template_file** (<str>) – template file path.
- **verbose** (<bool>) – enable/disable verbose option.

Returns template content for module | None.

Return type <str> | <NoneType>

Exceptions ATSTypeError | ATSBadCallError

gen_avr8.pro.template_dir module

Module template_dir.py

Copyright Copyright (C) 2018 Vladimir Roncevic <elektron.ronca@gmail.com> gen_avr8 is free software: you can redistribute it and/or modify it under the terms of the GNU General Public License as published by the Free Software Foundation, either version 3 of the License, or (at your option) any later version. gen_avr8 is distributed in the hope that it will be useful, but WITHOUT ANY WARRANTY; without even the implied warranty of MERCHANTABILITY or FITNESS FOR A PARTICULAR PURPOSE. See the GNU General Public License for more details. You should have received a copy of the GNU General Public License along with this program. If not, see <<http://www.gnu.org/licenses/>>.

Info Defined class TemplateDir with attribute(s) and method(s). Created API for checking project template directory.

```
class gen_avr8.pro.template_dir.TemplateDir  
    Bases: object
```

Defined class TemplateDir with attribute(s) and method(s). Created API for checking project template directory. It defines:

attributes

GEN_VERBOSE - console text indicator for process-phase.
CONF_DIR - configuration directory path.
TEMPLATE_DIR - template directory path.

methods

check_dir - check project directory.
setup_conf_dir - setup configuration directory.
setup_template_dir - setup template directory.
__str__ - dunder method for TemplateDir.

```
CONF_DIR = '/../conf/'
```

```
GEN_VERBOSE = 'GEN_AVR8::PRO::TEMPLATE_DIR'
```

```
TEMPLATE_DIR = '/../conf/template/'
```

```
classmethod check_dir(target_dir, verbose=False)
```

Checking project directory.

Parameters

- **target_dir** (<str>) – target directory to be checked.
- **verbose** (<bool>) – enable/disable verbose option.

Returns boolean status, True directory ok | False.

Return type <bool>

Exceptions None

```
classmethod setup_conf_dir(verbose=False)
```

Setup configuration directory.

Parameters **verbose** (<bool>) – enable/disable verbose option.

Returns template directory | None.

Return type <str> | <NoneType>

Exceptions None

```
classmethod setup_template_dir(verbose=False)
```

Setup template directory.

Parameters **verbose** (<bool>) – enable/disable verbose option.

Returns template directory | None.

Return type <str> | <NoneType>

Exceptions None

gen_avr8.pro.template_type module

Module template_type.py

Copyright Copyright (C) 2018 Vladimir Roncevic <elektron.ronca@gmail.com> gen_avr8 is free software: you can redistribute it and/or modify it under the terms of the GNU General Public License as published by the Free Software Foundation, either version 3 of the License, or (at your option) any later version. gen_avr8 is distributed in the hope that it will be useful, but WITHOUT ANY WARRANTY; without even the implied warranty of MERCHANTABILITY or FITNESS FOR A PARTICULAR PURPOSE. See the GNU General Public License for more details. You should have received a copy of the GNU General Public License along with this program. If not, see <<http://www.gnu.org/licenses/>>.

Info Defined class TemplateType with attribute(s) and method(s). Created API for checking project template type and template structure.

class gen_avr8.pro.template_type.TemplateType

Bases: object

Defined class TemplateType with attribute(s) and method(s). Created API for checking project template type and template structure. It defines:

attributes

GEN_VERBOSE - console text indicator for process-phase.

APP_TEMPLATE - application type of project.

LIB_TEMPLATE - library type of project.

TEMPLATE_TYPE - project template structures.

methods

check_template_type - check project template type.

setup_template_type - setup template type (app | lib).

__str__ - dunder method for TemplateType.

```
APP_TEMPLATE = 'app'
```

```
GEN_VERBOSE = 'GEN_AVR8::PRO::TEMPLATE_TYPE'
```

```
LIB_TEMPLATE = 'lib'
```

```
TEMPLATE_TYPE = {'app': 'project_app.yaml', 'lib': 'project_lib.yaml'}
```

```
classmethod check_template_type (template_type, verbose=False)
```

Check project template type (App | Lib).

Parameters

- **template_type** (<str>) – project template type.
- **verbose** (<bool>) – enable/disable verbose option.

Returns boolean status, True project type for ok | False.

Return type <bool>

Exceptions ATSTypeError | ATSBadCallError

```
classmethod setup_template_type (template_type, verbose=False)
```

Setup template type (App | Lib).

Parameters

- **template_type** (<str>) – project template type.
- **verbose** (<bool>) – enable/disable verbose option.

Returns project type (app | lib) | None.

Return type <str> | <NoneType>

Exceptions ATSTypeError | ATSBadCallError

gen_avr8.pro.write_template module

Module write_template.py

Copyright Copyright (C) 2018 Vladimir Roncevic <elektron.ronca@gmail.com> gen_avr8 is free software: you can redistribute it and/or modify it under the terms of the GNU General Public License as published by the Free Software Foundation, either version 3 of the License, or (at your option) any later version. gen_avr8 is

distributed in the hope that it will be useful, but WITHOUT ANY WARRANTY; without even the implied warranty of MERCHANTABILITY or FITNESS FOR A PARTICULAR PURPOSE. See the GNU General Public License for more details. You should have received a copy of the GNU General Public License along with this program. If not, see <http://www.gnu.org/licenses/>.

Info Defined class WriteTemplate with attribute(s) and method(s). Created API for write template content with parameters.

class gen_avr8.pro.write_template.**WriteTemplate** (*verbose=False*)
Bases: ats_utilities.config_io.base_check.FileChecking

Defined class WriteTemplate with attribute(s) and method(s). Created API for Write template content with parameters. It defines:

attributes

GEN_VERBOSE - console text indicator for process-phase.
__pro_dir - current project directory.

methods

__init__ - initial constructor.
pro_dir - property methods for set/get operations.
check_module - check project module.
write - write a template content to a project module.
__str__ - dunder method for WriteTemplate.

GEN_VERBOSE = 'GEN_AVR8::PRO::WRITE_TEMPLATE'

VERBOSE = 'ATS_UTILITIES'

check_module (*module, verbose=False*)
Check project module.

Parameters

- **module** (*<str>*) – module name.
- **verbose** (*<bool>*) – enable/disable verbose option.

Returns 'build' | 'source' | None (wrong module name).

Return type *<str>* | *<NoneType>*

Exceptions ATSTypeError | ATSBadCallError

pro_dir

Property method for getting project dir.

Returns project dir | None.

Return type *<str>* | *<NoneType>*

Exceptions None

write (*project_data, verbose=False*)
Write a template content to a project module.

Parameters

- **project_data** (*<dict>*) – project data.
- **verbose** (*<bool>*) – enable/disable verbose option.

Returns boolean status, True (success) | False.

Return type <bool>

Exception ATSTypeError | ATSBadCallError

Module contents

Module `__init__.py`

Copyright Copyright (C) 2018 Vladimir Roncevic <elektron.ronca@gmail.com> gen_avr8 is free software: you can redistribute it and/or modify it under the terms of the GNU General Public License as published by the Free Software Foundation, either version 3 of the License, or (at your option) any later version. gen_avr8 is distributed in the hope that it will be useful, but WITHOUT ANY WARRANTY; without even the implied warranty of MERCHANTABILITY or FITNESS FOR A PARTICULAR PURPOSE. See the GNU General Public License for more details. You should have received a copy of the GNU General Public License along with this program. If not, see <<http://www.gnu.org/licenses/>>.

Info Defined class AVR8Setup with attribute(s) and method(s). Generate AVR project skeleton.

class `gen_avr8.pro.AVR8Setup` (*verbose=False*)
Bases: `object`

Defined class AVR8Setup with attribute(s) and method(s). Generate AVR project skeleton. It defines:

attributes

`GEN_VERBOSE` - console text indicator for process-phase.
`__mcu_sel` - MCU selector API.
`__fosc_sel` - FOSC selector API.
`__reader` - reader API.
`__writer` - writer API.
`__project_setup` - project setup.

methods

`__init__` - initial constructor.
`project_setup` - property methods for set operations.
`gen_pro_setup` - generate project skeleton.
`__str__` - dunder method for AVR8Setup.

GEN_VERBOSE = 'GEN_AVR8::PRO::AVR8SETUP'

gen_pro_setup (*verbose=False*)

Generate AVR8 project setup.

Parameters `verbose` (<bool>) – enable/disable verbose option.

Returns boolean status, True (success) | False.

Return type <bool>

Exceptions None

project_setup (*project_name, project_type, verbose=False*)

Setter for project setup.

Parameters

- **project_name** (<str>) – project name.
- **project_type** (<str>) – project type.
- **verbose** (<bool>) – enable/disable verbose option.

Exceptions ATSTypeError | ATSBadCallError

1.1.2 Module contents

Module `__init__.py`

Copyright Copyright (C) 2018 Vladimir Roncevic <elektron.ronca@gmail.com> gen_avr8 is free software: you can redistribute it and/or modify it under the terms of the GNU General Public License as published by the Free Software Foundation, either version 3 of the License, or (at your option) any later version. gen_avr8 is distributed in the hope that it will be useful, but WITHOUT ANY WARRANTY; without even the implied warranty of MERCHANTABILITY or FITNESS FOR A PARTICULAR PURPOSE. See the GNU General Public License for more details. You should have received a copy of the GNU General Public License along with this program. If not, see <<http://www.gnu.org/licenses/>>.

Info Defined class GenAVR8 with attribute(s) and method(s). Load a base info, create an CLI interface and run operation(s).

class `gen_avr8.GenAVR8` (*verbose=False*)
Bases: `ats_utilities.cli.cfg_cli.CfgCLI`

Defined class GenAVR8 with attribute(s) and method(s). Load a base info, create an CLI interface and run operation(s). It defines:

attributes

GEN_VERBOSE - console text indicator for process-phase.
CONFIG - tool info file path.
LOG - tool log file path.
LOGO - logo for splash screen.
OPS - list of tool options.
logger - logger object API.

methods

`__init__` - initial constructor.
`process` - process and run tool option.
`__str__` - dunder method for GenAVR8.

`CONFIG = '/conf/gen_avr8.cfg'`

`GEN_VERBOSE = 'GEN_AVR8'`

`LOG = '/log/gen_avr8.log'`

`LOGO = '/conf/gen_avr8.logo'`

`OPS = ['-g', '--gen', '-t', '--type', '-v', '--verbose', '--version']`

`VERBOSE = 'ATS_UTILITIES'`

process (*verbose=False*)
Process and run operation.

Parameters `verbose` (<bool>) – enable/disable verbose option.

Returns boolean status, True (success) | False.

Return type <bool>

Exceptions None

Navigate to release [page](#) download and extract release archive.

To install **gen_avr8** type the following

```
tar xvzf gen_avr8-x.y.z.tar.gz
cd gen_avr8-x.y.z/
#python2
python setup.py install_lib
python setup.py install_data
python setup.py install_egg_info
#python3
python3 setup.py install_lib
python3 setup.py install_data
python3 setup.py install_egg_info
```

You can use Docker to create image/container, or You can use pip to install

```
#python2
pip install gen-avr8
#python3
pip3 install gen-avr8
```


CHAPTER 3

Usage

Create AVR8 Project Blink, MCU/FOSC will be selected during generation process

```
python gen_avr8_run.py -g Blink -t app
```


CHAPTER 4

Dependencies

gen_avr8 tool-module requires other modules and libraries

- [ats-utilities](#) - Python App/Tool/Script Utilities

CHAPTER 5

Supported mcus

Current list of supported microcontrollers

attiny2313	atmega128	at90s2313
attiny24	atmega1280	at90s2333
attiny25	atmega1281	at90s4414
attiny26	atmega1284p	at90s4433
attiny261	atmega16	at90s4434
attiny44	atmega163	at90s8515
attiny45	atmega164p	at90s8535
attiny461	atmega165	
attiny84	atmega165p	
attiny85	atmega168	
attiny861	atmega169	
	atmega169p	
	atmega2560	
	atmega2561	
	atmega32	
	atmega324p	
	atmega325	
	atmega3250	
	atmega329	
	atmega3290	
	atmega32u4	
	atmega48	
	atmega64	
	atmega640	
	atmega644	
	atmega644p	
	atmega645	
	atmega6450	
	atmega649	
	atmega6490	
	atmega8	
	atmega8515	

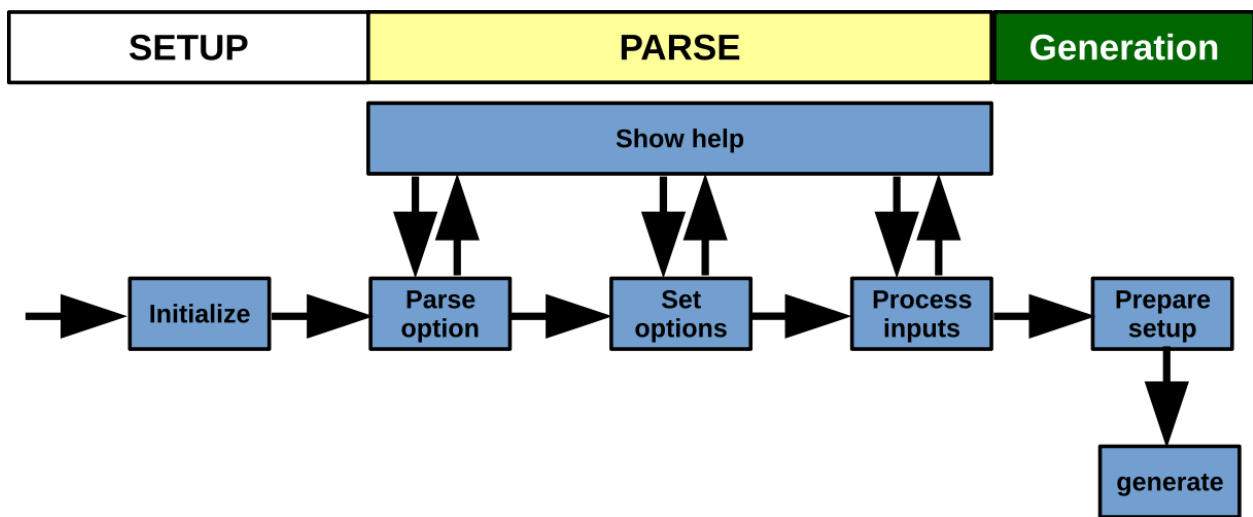
(continues on next page)

(continued from previous page)

atmega8535 atmega88

Generation flow of project setup

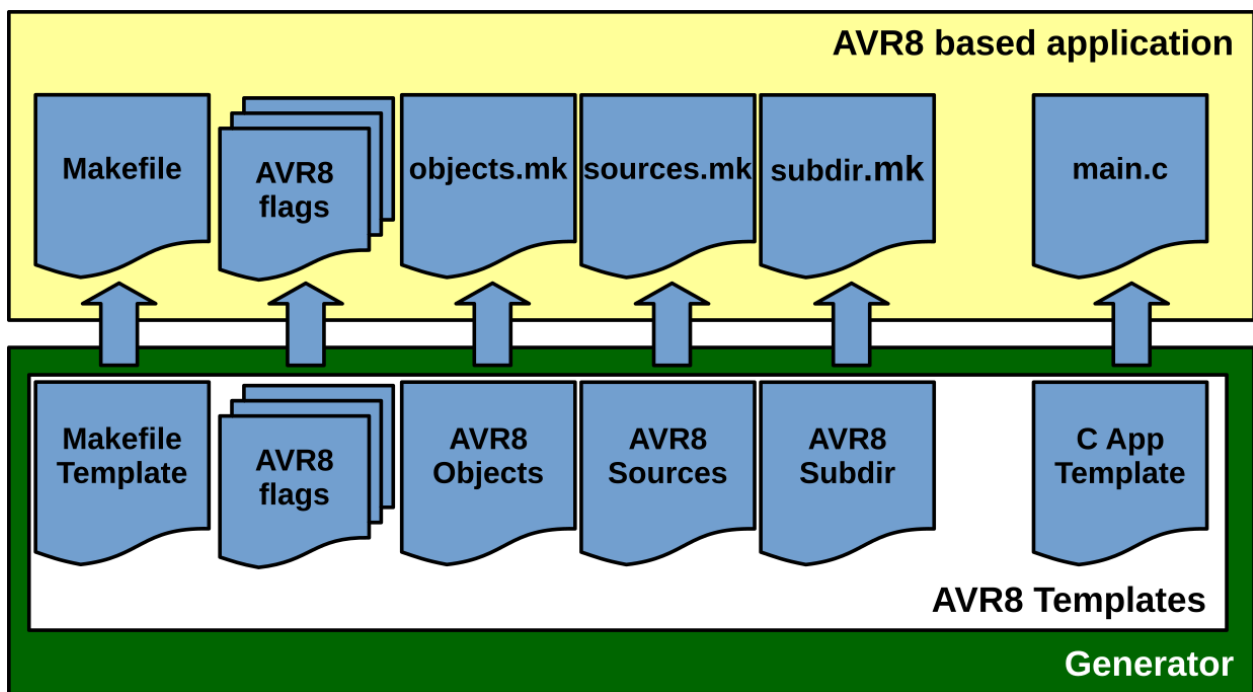
Base flow of generation process



CHAPTER 7

Tool structure

`gen_avr8` is based on Template mechanism



Generator structure

```
gen_avr8/  
├── conf/  
│   ├── gen_avr8.logo  
│   ├── fosc.yaml  
│   ├── gen_avr8.cfg  
│   └── gen_avr8_util.cfg
```

(continues on next page)

(continued from previous page)



Copyright and licence

Copyright (C) 2018 by vrontcevic.github.io/gen_avr8

gen_avr8 is free software; you can redistribute it and/or modify it under the same terms as Python itself, either Python version 2.x/3.x or, at your option, any later version of Python 3 you may have available.

Lets help and support PSF.



CHAPTER 9

Indices and tables

- `genindex`
- `modindex`
- `search`

g

gen_avr8, 12
gen_avr8.pro, 11
gen_avr8.pro.mcu_selector, 3
gen_avr8.pro.module_type, 4
gen_avr8.pro.osc_selector, 5
gen_avr8.pro.read_template, 6
gen_avr8.pro.template_dir, 7
gen_avr8.pro.template_type, 8
gen_avr8.pro.write_template, 9

A

APP_TEMPLATE (*gen_avr8.pro.template_type.TemplateType* attribute), 9

AVR8Setup (class in *gen_avr8.pro*), 11

B

BUILD (*gen_avr8.pro.module_type.ModuleType* attribute), 5

C

check_dir () (*gen_avr8.pro.template_dir.TemplateDir* class method), 8

check_module () (*gen_avr8.pro.write_template.WriteTemplate* method), 10

check_template_type () (*gen_avr8.pro.template_type.TemplateType* class method), 9

choose_mcu () (*gen_avr8.pro.mcu_selector.MCUSelector* method), 4

choose_osc () (*gen_avr8.pro.osc_selector.OSCSelector* method), 6

CONF_DIR (*gen_avr8.pro.template_dir.TemplateDir* attribute), 8

CONFIG (*gen_avr8.GenAVR8* attribute), 12

F

FORMAT (*gen_avr8.pro.read_template.ReadTemplate* attribute), 7

FOSC_LIST (*gen_avr8.pro.osc_selector.OSCSelector* attribute), 6

G

gen_avr8 (module), 12

gen_avr8.pro (module), 11

gen_avr8.pro.mcu_selector (module), 3

gen_avr8.pro.module_type (module), 4

gen_avr8.pro.osc_selector (module), 5

gen_avr8.pro.read_template (module), 6

gen_avr8.pro.template_dir (module), 7

gen_avr8.pro.template_type (module), 8

gen_avr8.pro.write_template (module), 9

gen_pro_setup () (*gen_avr8.pro.AVR8Setup* method), 11

GEN_VERBOSE (*gen_avr8.GenAVR8* attribute), 12

GEN_VERBOSE (*gen_avr8.pro.AVR8Setup* attribute), 11

GEN_VERBOSE (*gen_avr8.pro.mcu_selector.MCUSelector* attribute), 4

GEN_VERBOSE (*gen_avr8.pro.module_type.ModuleType* attribute), 5

GEN_VERBOSE (*gen_avr8.pro.osc_selector.OSCSelector* attribute), 6

GEN_VERBOSE (*gen_avr8.pro.read_template.ReadTemplate* attribute), 7

GEN_VERBOSE (*gen_avr8.pro.template_dir.TemplateDir* attribute), 8

GEN_VERBOSE (*gen_avr8.pro.template_type.TemplateType* attribute), 9

GEN_VERBOSE (*gen_avr8.pro.write_template.WriteTemplate* attribute), 10

GenAVR8 (class in *gen_avr8*), 12

get_fosc_list () (*gen_avr8.pro.osc_selector.OSCSelector* method), 6

get_mcu_list () (*gen_avr8.pro.mcu_selector.MCUSelector* method), 4

I

is_build_module () (*gen_avr8.pro.module_type.ModuleType* class method), 5

is_source_module () (*gen_avr8.pro.module_type.ModuleType* class method), 5

L

LIB_TEMPLATE (*gen_avr8.pro.template_type.TemplateType* attribute), 9

LOG (*gen_avr8.GenAVR8* attribute), 12

LOGO (*gen_avr8.GenAVR8* attribute), 12

M

MCU_LIST (*gen_avr8.pro.mcu_selector.MCUSelector attribute*), 4
MCUSelector (*class in gen_avr8.pro.mcu_selector*), 3
ModuleType (*class in gen_avr8.pro.module_type*), 4

O

OPS (*gen_avr8.GenAVR8 attribute*), 12
OSCSelector (*class in gen_avr8.pro.osc_selector*), 6

P

pre_process_module() (*gen_avr8.pro.module_type.ModuleType class method*), 5
pro_dir (*gen_avr8.pro.write_template.WriteTemplate attribute*), 10
process() (*gen_avr8.GenAVR8 method*), 12
project_setup() (*gen_avr8.pro.AVR8Setup method*), 11

R

read() (*gen_avr8.pro.read_template.ReadTemplate method*), 7
ReadTemplate (*class in gen_avr8.pro.read_template*), 6

S

setup_conf_dir() (*gen_avr8.pro.template_dir.TemplateDir class method*), 8
setup_template_dir() (*gen_avr8.pro.template_dir.TemplateDir class method*), 8
setup_template_type() (*gen_avr8.pro.template_type.TemplateType class method*), 9
SOURCE (*gen_avr8.pro.module_type.ModuleType attribute*), 5

T

TEMPLATE_DIR (*gen_avr8.pro.template_dir.TemplateDir attribute*), 8
TEMPLATE_TYPE (*gen_avr8.pro.template_type.TemplateType attribute*), 9
TemplateDir (*class in gen_avr8.pro.template_dir*), 7
TemplateType (*class in gen_avr8.pro.template_type*), 8

V

VERBOSE (*gen_avr8.GenAVR8 attribute*), 12
VERBOSE (*gen_avr8.pro.mcu_selector.MCUSelector attribute*), 4
VERBOSE (*gen_avr8.pro.osc_selector.OSCSelector attribute*), 6

VERBOSE (*gen_avr8.pro.read_template.ReadTemplate attribute*), 7
VERBOSE (*gen_avr8.pro.write_template.WriteTemplate attribute*), 10

W

write() (*gen_avr8.pro.write_template.WriteTemplate method*), 10
WriteTemplate (*class in gen_avr8.pro.write_template*), 10